

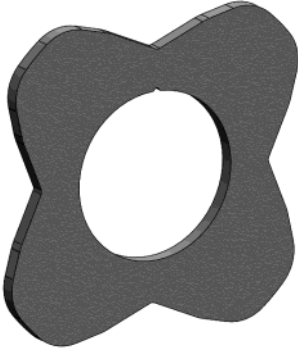
VIPERMETAL BLADE MODELS

keskiviikko 21. elokuuta 2019 12.26



VIPERMETAL available options for rotor spacing	PLADE THICKNESS								
Guide Jig		23	30	35	42	51	60	70	
Spacing	8 mm	15	22	27	34	43	52	62	
Spacing	10 mm		20	25	32	41	50	60	
Spacing	16 mm		x	x	26	35	44	54	
Output material size approximately -5mm of blade spacing									

M110 STANDARD SERIES (Medium)



M20903 110-STANDARD

BLADE MODEL:	M20903 110-STANDARD
APPLICATION:	Screening
THICKNESS AVAILABLE:	8; <u>10</u> ; 16 HD [mm]



M23709 110 2SC

BLADE MODEL:	M23709 110 2SC
APPLICATION:	Screening, Soft Crushing
THICKNESS AVAILABLE:	<u>10</u> ; 16 HD [mm]



M24752 110 4SC

BLADE MODEL:	M24752 110 4SC
APPLICATION:	Screening, Soft Crushing
THICKNESS AVAILABLE:	<u>10</u> ; 16 HD [mm]

B140 STANDARD SERIES (Big)



B20485 140-STANDARD

BLADE MODEL:	B20485 140-STANDARD
APPLICATION:	Screening
THICKNESS AVAILABLE:	<u>10</u> ; 16 HD [mm]



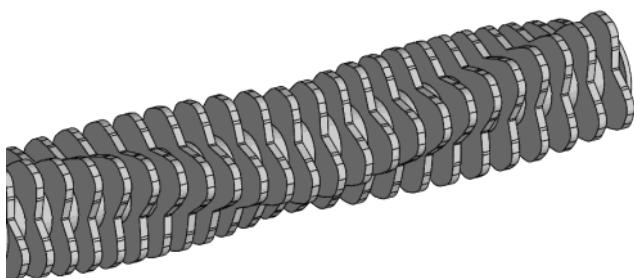
B23247 140 2SC

BLADE MODEL:	B23247 140 2SC
APPLICATION:	Screening, Soft Crushing
THICKNESS AVAILABLE:	<u>10</u> ; 16 HD [mm]

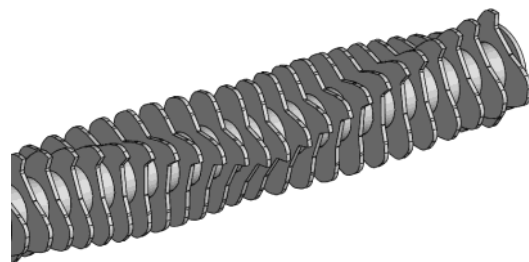


B23909 140 4SC

BLADE MODEL:	B23909 140 4SC
APPLICATION:	Screening, Soft Crushing
THICKNESS AVAILABLE:	<u>10</u> ; 16 HD [mm]

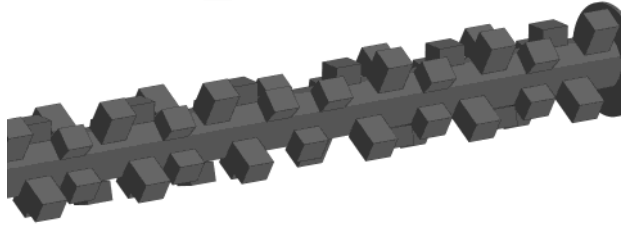


STANDARD SERIES PATTERN EXAMPLE B20485 140-STANDARD



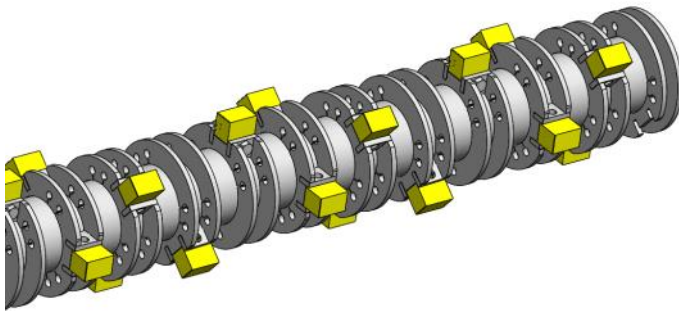
STANDARD SERIES PATTERN EXAMPLE B23247 140 2SC Soft Crushin)

(All rights to change the document information without prior notice reserved)



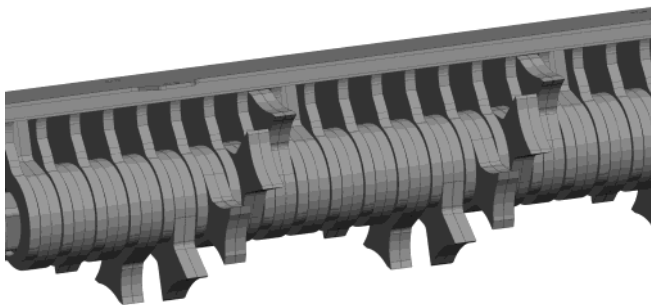
BIG BLOCK SERIES

BLADE MODEL:	STA 23984 110-BigBlock (Welded)
	STA 23984 140-BigBlock (Welded)
APPLICATION:	Stabilizer; Mixing
THICKNESS AVAILABLE:	50 mm Block



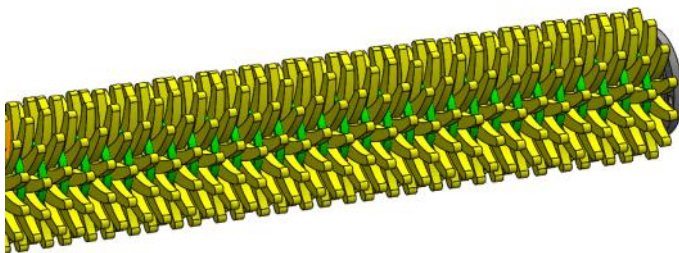
BOLT BLOCK SERIES

BLADE MODEL:	CBB 24251 140-BoltBlock (Bolted)
APPLICATION:	Soft Crushing
THICKNESS AVAILABLE:	40 mm Block HD



SAW CRUSH SERIES

BLADE MODEL:	CSAW 23010 110
APPLICATION:	Soft Crushing SAW CRUSHER
THICKNESS AVAILABLE:	32 HD [mm]



URETHANE SCREENING SERIES

BLADE MODEL:	PU 24604 110-Urethane
APPLICATION:	Screening
THICKNESS AVAILABLE:	20 Spacing

(All rights to change the document information without prior notice reserved)